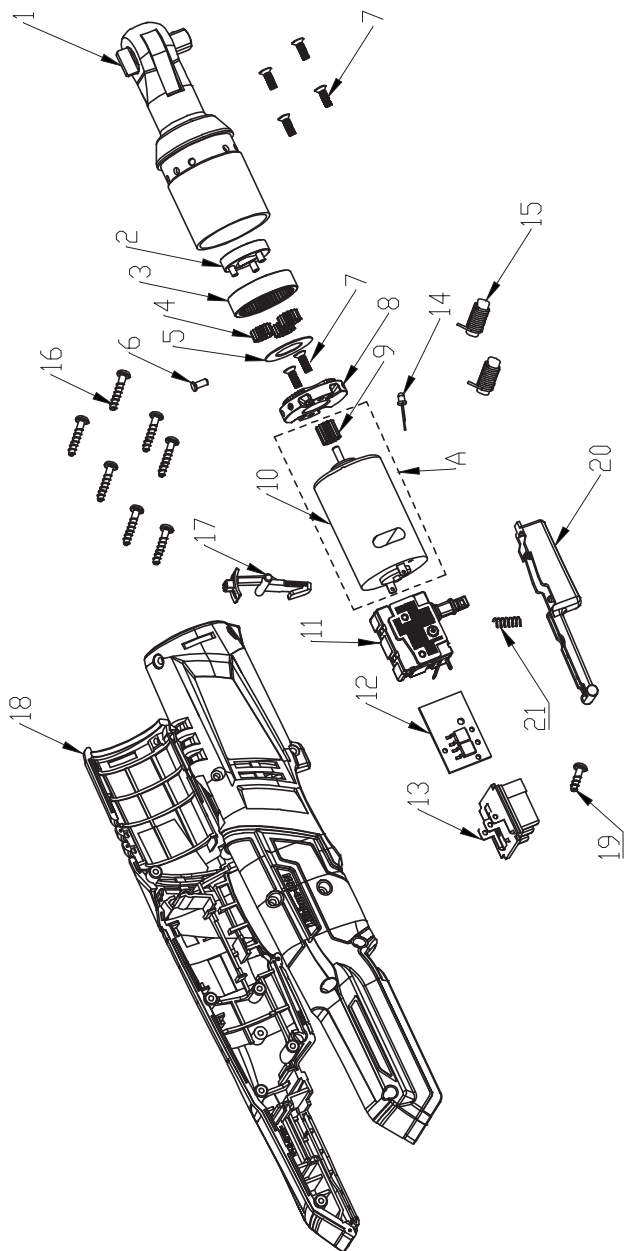


EXPLODED VIEW RDP-KRW20



SPARE PARTS RDP-KRW20

1	W699-2c ratchet handle head set (3 / 8 axis) (closed type)	1
2	W699-2c planetary carrier	1
3	W699-2c inner gear ring	1
4	W699-2c planetary gear	3
5	W632-1 gear gasket	1
6	W699-2c motor fixing plate	1
7	Cross recessed countersunk head screw	6
8	W699-2c motor fixing plate	1
9	W699-2c motor gear	1
10	Quehui 550 motor (18V round shaft)	1
11	Lcw770-1j ratchet wrench switch	1
12	Lcw770-1j fuselage plate	1
13	77 × bipedal bracket (18V)	1
14	White light highlights	1
15	inductance	1
16	Self tapping screw	7
17	Lcw770-1j switch lock button	1
18	Lcw770-1j ratchet wrench housing	1
19	Self tapping screw	1
20	Lcw770-1j handle	1
21	528-4 switch spring	1
A	Motor assembly	1